



Rectangular shaped LED floodlight designed to replace 150W Metal Halide. Patent Pending airflow technology ensures long LED and driver lifespan. Use for building facade lighting, sign lighting, LED landscape lighting and instant-on security lighting.

Color: Bronze

Weight: 12.5 lbs

|                     |              |
|---------------------|--------------|
| <b>Project:</b>     | <b>Type:</b> |
| <b>Prepared By:</b> | <b>Date:</b> |

| Driver Info  |                  | LED Info        |         |
|--------------|------------------|-----------------|---------|
| Type:        | Constant Current | Watts:          | 39W     |
| 120V:        | 0.35A            | Color Temp:     | 4000K   |
| 208V:        | 0.20A            | Color Accuracy: | 71 CRI  |
| 240V:        | 0.18A            | L70 Lifespan:   | 100000  |
| 277V:        | 0.15A            | Lumens:         | 5651    |
| Input Watts: | 42W              | Efficacy:       | 134 LPW |
| Efficiency:  | 92%              |                 |         |

## Technical Specifications

### LED Characteristics

#### Lifespan:

100,000-hour LED lifespan based on IES LM-80 results and TM-21 calculations.

#### LEDs:

Two multi-chip, 26Watt high performance LEDs.

#### Color Consistency:

3-step MacAdam Ellipse binning to achieve consistent fixture-to-fixture color.

#### Color Stability:

LED color temperature is warranted to shift no more than 200K in CCT over a 5 year period.

#### Color Uniformity:

RAB's range of CCT (Correlated Color Temperature) follows the guidelines of the American National Standard for (SSL) Products, ANSI C78.377-2017.

### Listings

#### DLC Listed:

This product is on the Design Lights Consortium (DLC) Qualified Products List and is eligible for rebates from DLC Member Utilities.  
DLC Product Code: \_P0000173J

#### IESNA LM-79 & LM-80 Testing:

RAB LED luminaires have been tested by an independent laboratory in accordance with IESNA LM-79 and LM-80, and have received the Department of Energy "Lighting Facts" label.

#### UL Listing:

Suitable For Wet Locations. Suitable for ground mounting.

### Construction

#### IP Rating:

Ingress Protection rating of IP66 for dust and water

#### Ambient Temperature:

Suitable for use in 40°C (104°F) ambient temperatures.

#### Cold Weather Starting:

Minimum starting temperature is -40°C (-40°F)

#### Thermal Management Housing:

Superior heat sinking with external Air-Flow fins.

#### Mounting:

Heavy-duty mounting arm with "O" ring seal & stainless steel screw.

#### Effective Projected Area:

EPA = 0.65

#### Reflector:

Specular vacuum-metallized polycarbonate

#### Gaskets:

High-temperature silicone gaskets

#### Finish:

Formulated for high-durability and long lasting color.

#### Green Technology:

Mercury and UV free. RoHS compliant components. Polyester powder coat finish formulated without the use of VOC or toxic heavy metals.

#### Threaded Size:

1/2" threaded arm.

### Optical

#### NEMA Type:

NEMA Beam Spread of 7H x 6V

### Electrical

#### Driver:

Constant Current, Class 2, 1050mA, 100-277V, 50/60Hz, 0.6A, Power Factor 99%

#### Surge Protection:

4kV

### Other

#### California Title 24:

Select an FFLED39 model equipped with 0-10V driver (look for /D10 in the catalog #) for a 2013 California Title 24 compliant model.

#### Warranty:

RAB warrants that our LED products will be free from defects in materials and workmanship for a period of five (5) years from the date of delivery to the end user, including coverage of light output, color stability, driver performance and fixture finish.

#### Patents:

The FFLED design is protected by U.S. Pat. D643,147, Canada Pat. 140798, China Pat. ZL201130171304.1, Mexico Pat. 36757 and pending patent in Taiwan.

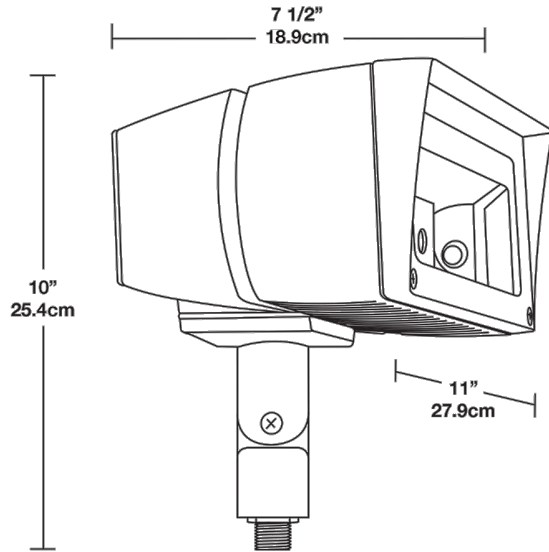
#### American Bureau of Shipping (ABS) :

For use on Mobile Offshore Drilling Units (MODU) and shipping vessels.

## Technical Specifications (continued)

|   |  |   |
|---|--|---|
| <p><b>Other</b> _____</p> <p><b>Equivalency:</b><br/>Equivalent to 150W Metal Halide.</p> | <p><b>FTC Country of Origin:</b><br/>This product was assembled in the USA by RAB using imported components.</p> | <p><b>Buy American Act Compliance:</b><br/>This product complies with the Buy American Act.</p> |
|---|--|---|

### Dimensions



### Features

- Ultra efficient LED and optical design
- Replaces 150W MH floodlights
- 100,000 hour life based on LM-80 tests
- Air-flow technology heatsink
- 5-year warranty

### Ordering Matrix

| Family | Wattage  | Mounting                        | Color Temp                              | NEMA Type                      | Finish         | Driver  | Photocell Options   |
|--------|----------|---------------------------------|---|--------------------------------|----------------|---|---|
| FFLED  | 39       |                                 | N                                       |                                |                |   |   |
|        | 80 = 80W | Blank = Swivel Arm              | Blank = 5000K (Cool)                    | Blank = 7H x 6V                | Blank = Bronze | Blank = On/Off<br>/D10 = 0-10V Dimming            | Blank = No Option<br>/PC = 120V Photocell   |
|        | 52 = 52W | SF = Slipfitter<br>T = Trunnion | N = 4000K (Neutral)<br>Y = 3000K (Warm) | B55 = 5H x 5V<br>B44 = 4H x 4V | W = White      | /480 = 480V On/Off (not available for 80W models) | /PC2 = 277V Photocell<br>/PCS = 120V Swivel Photocell<br>/PCS2 = 277V Swivel Photocell<br>/PCS4 = 480V Swivel Photocell |
|        | 39 = 39W |                                 |   |                                |                |   |   |
|        | 26 = 26W |                                 |   |                                |                |   |   |